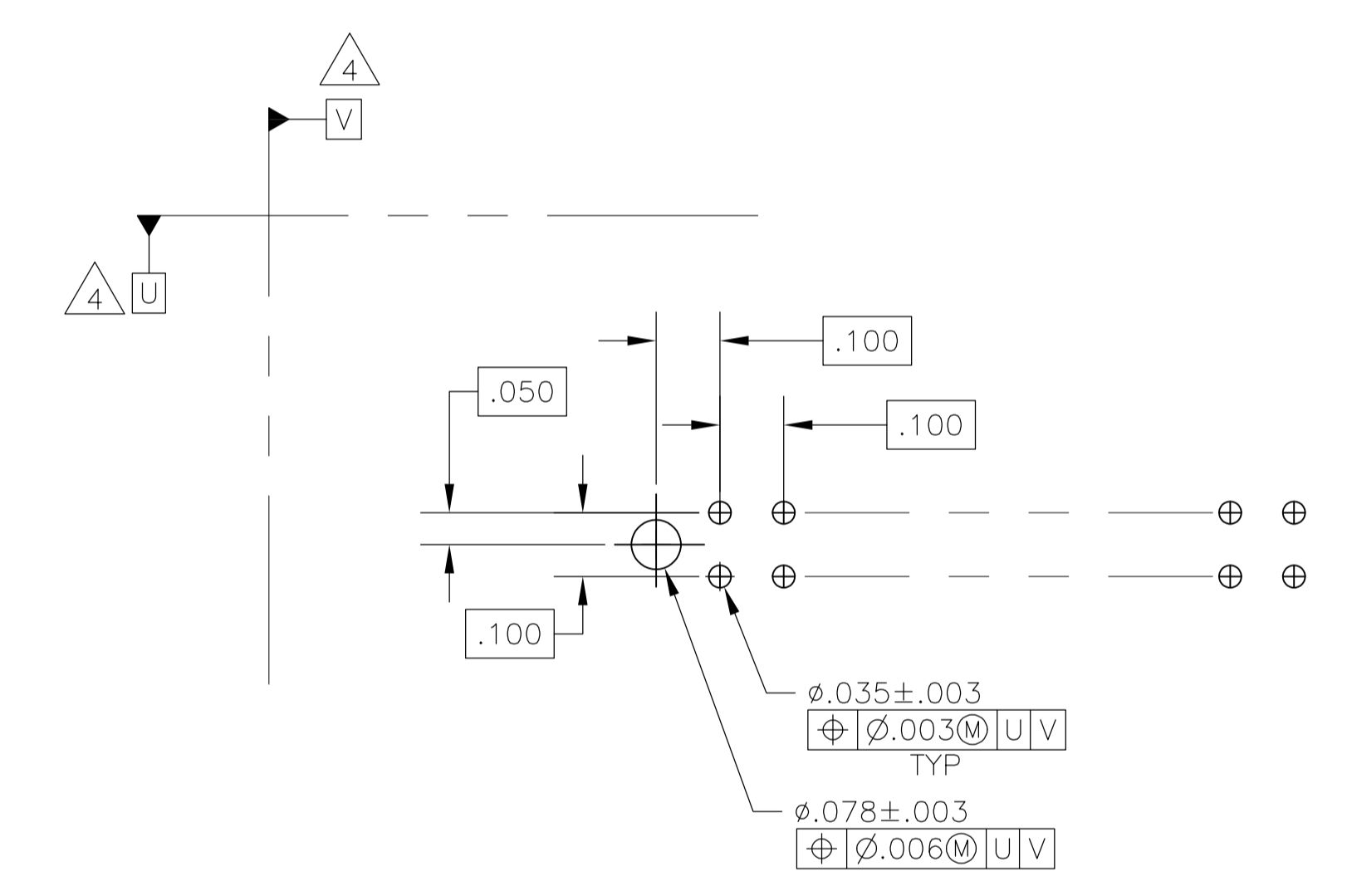
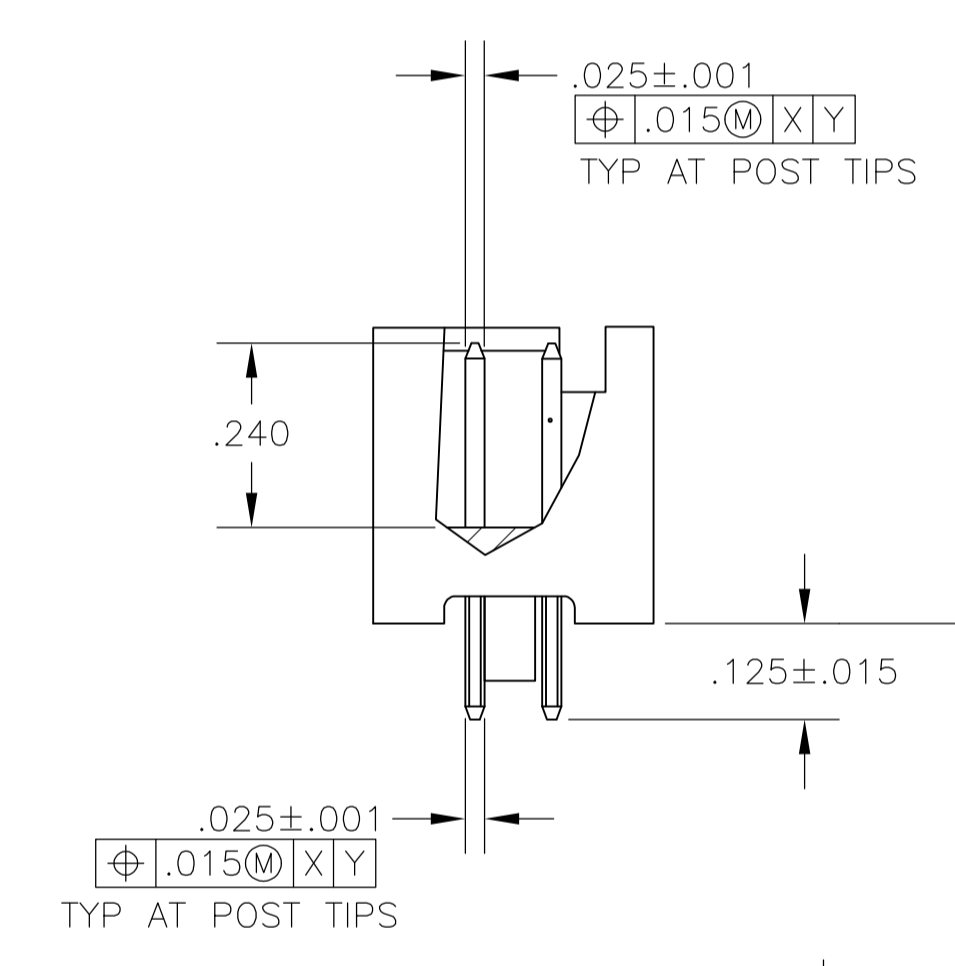
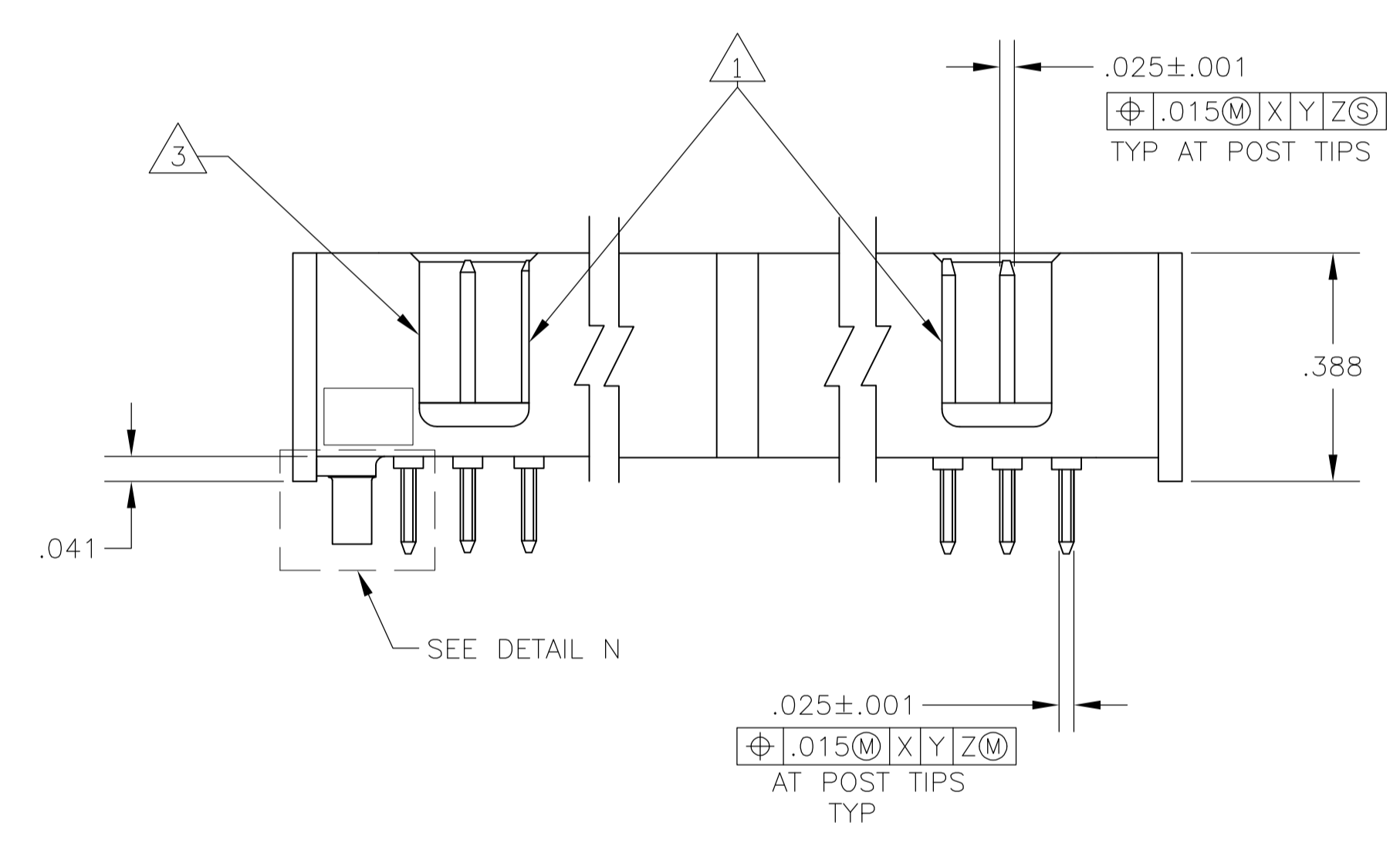
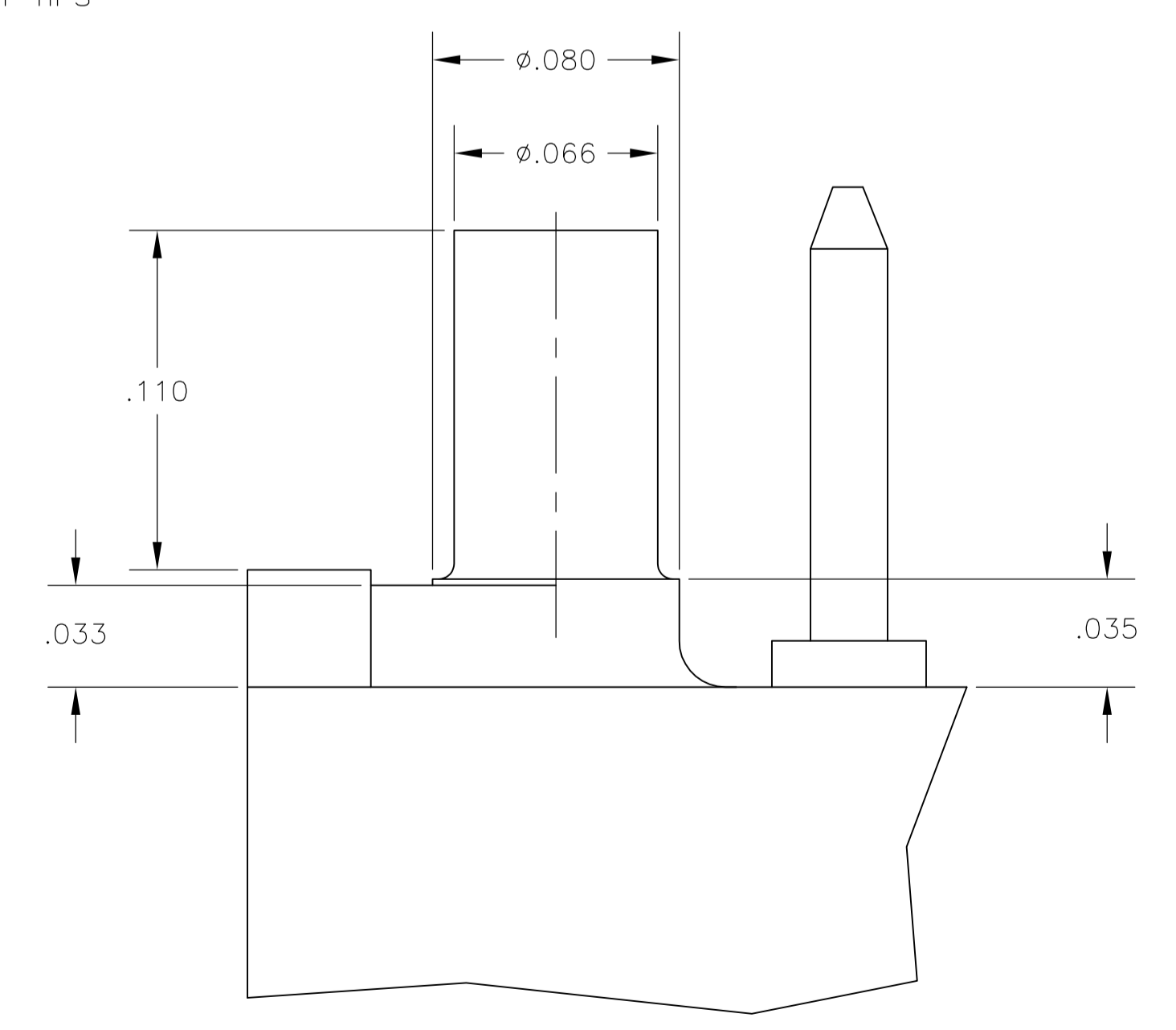


- 1 DOUBLE BAR POLARIZATION SLOTS.
- 2 CENTER POLARIZATION SLOT.
- 3 FOR 10 POSN ASSEMBLY, SLOT OMITTED IN THIS LOCATION.
- 4 DATUMS U AND V TO BE ESTABLISHED BY THE CUSTOMER.
- 5 HOUSING: GLASS FILLED 46 NYLON, UL 94V-0, COLOR: BLACK  
POSTS: BRASS.
- 6 POSTS: GOLD FLASH OVER PALLADIUM-NICKEL PLATE, .000030 MIN TOTAL ON THE MATING SURFACES, .000100 MIN TIN PLATE ON THE SOLDER-TAILS, .000050 MIN NICKEL UNDERPLATE ON THE ENTIRE POST.  
-OR-  
.000030 MIN GOLD PLATE ON THE MATING SURFACES, .000100 MIN TIN PLATE ON THE SOLDER-TAILS, .000050 MIN NICKEL UNDERPLATE ON THE ENTIRE POST.
- 7 RIBS:  
ALL POSITION SIZES: 2 LOCATED AT ENDS OF HOUSING.  
20 THRU 26 POSITION SIZES: 1 OPTIONAL RIB CENTERED ON HOUSING.  
50 POSITIONS SIZE: 2 OPTIONAL RIBS EVENLY SPACED WITHIN REMAINING LENGTH OF HOUSING.



RECOMMENDED PCB LAYOUT



DETAIL N  
SCALE 20:1

2.800	2.400	24	50	1888193-9
1.600	1.200	12	26	1888193-6
1.300	.900	9	20	1888193-4
.800	.400	4	10	1888193-1
C	B	A	NO OF POSN	PART NUMBER

THIS DRAWING IS A CONTROLLED DOCUMENT.

DIMENSIONS: INCHES	TOLERANCES UNLESS OTHERWISE SPECIFIED:	DIN C. LAUBACH 14 DEC 05	CHK S. BOLASH 14 DEC 05	APVD M. WALMSLEY 14 DEC 05	NAME
0. PLC ± -	1. PLC ± -	TE Connectivity			HEADER ASSY, VERTICAL, LOW PROFILE, AMP-LATCH
2. PLC ± -	3. PLC ± .005	PRODUCT SPEC			108-40018
4. PLC ± -	ANGLES ± -	APPLICATION SPEC			
MATERIAL 5	FINISH 6	SIZE	CAGE CODE	DRAWING NO	RESTRICTED TO
		WEIGHT	A1	00779	1888193
CUSTOMER DRAWING		SCALE	4:1	SHEET	1 OF 1